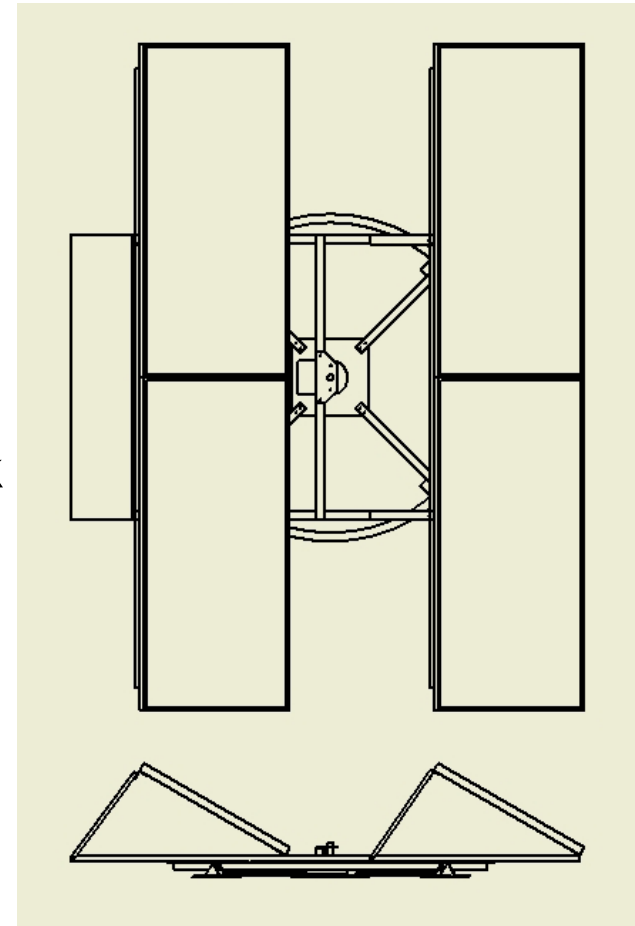
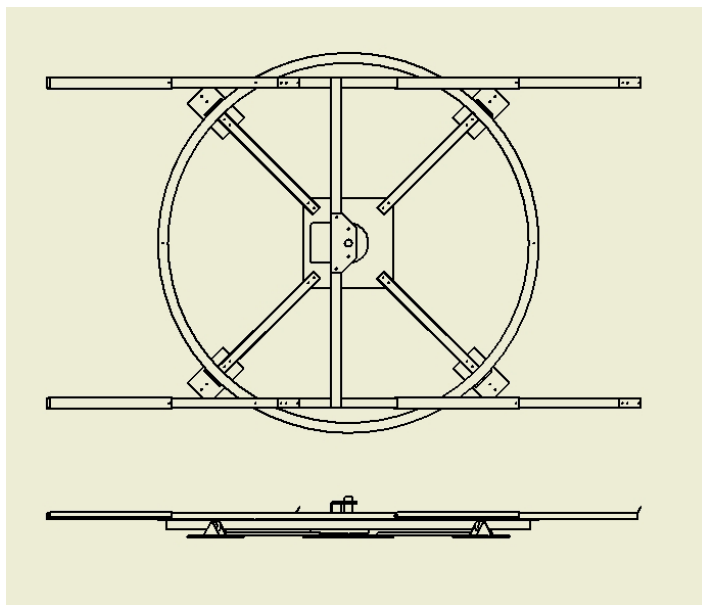


# THE JX CRYSTALS SOLAR TRACKER



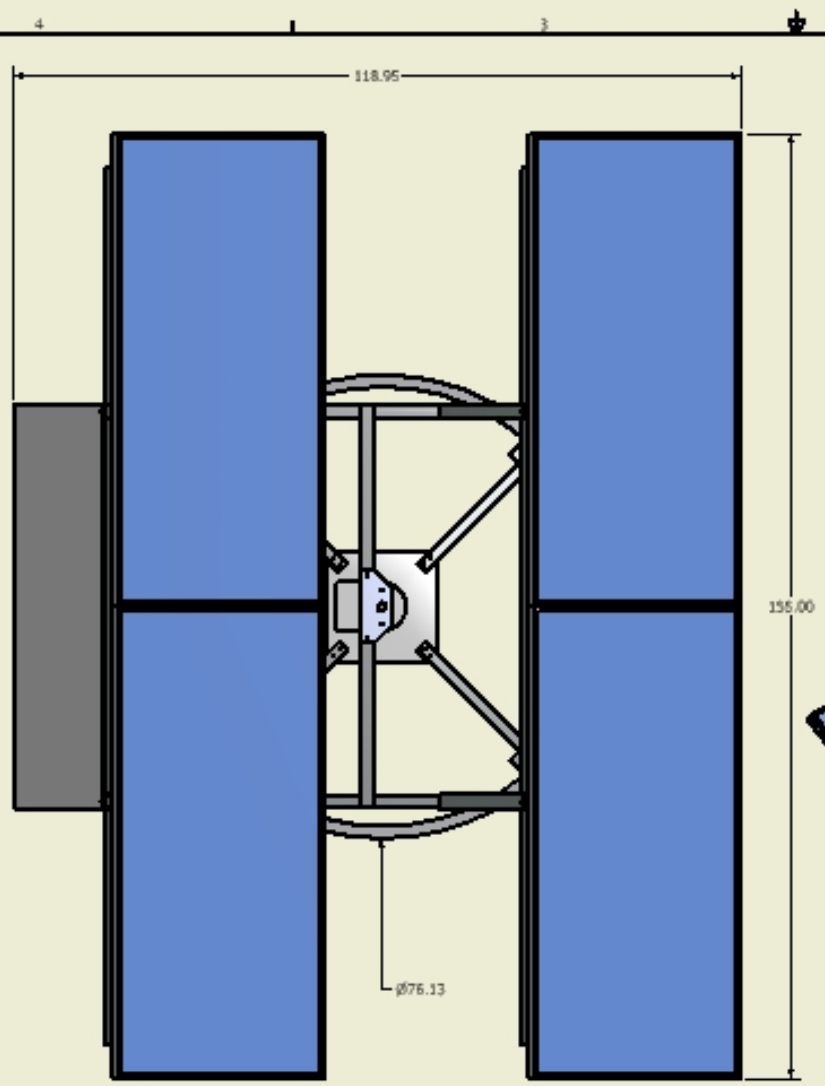
## Sun Track Carousel for Flat Roofs and Surfaces

- 1 kW Capacity per Carousel
- Shipping Product Prefabricated
- Low Wind Resistance
- Low Cost, Fast Installation
- 1.4 times more kWh per kW
- Lower cost kWh & faster payback

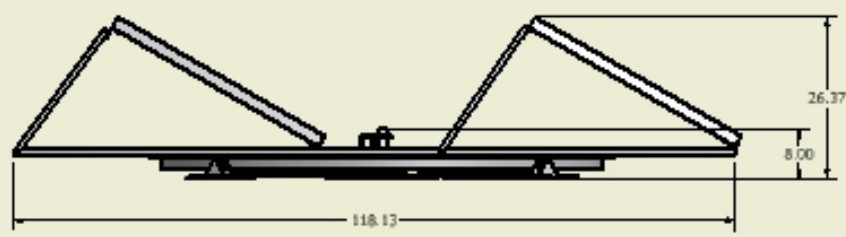
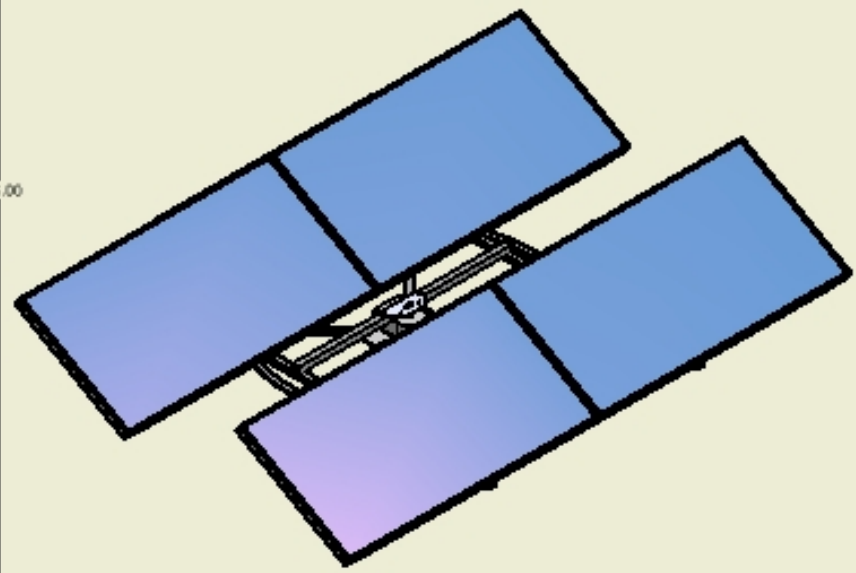


Deployed  
Sweeps  
14 ft Circle

Module support arms fold down for compact shipping: 8" H x 68" W x 118" L



JXC 1.1 kW Rooftop  
 Carousel Solar Tracker  
 Dimensions in inches



DRAWN Lewis Fraas	4/20/2011	JX Crystals Inc		
CHECKED		TITLE		
QA		JXC 1.1 kW Carousel		
APPROVED		SIZE C	DWG NO Carousel 2011 JXC	REV
		SCALE	SHEET 1 OF 1	

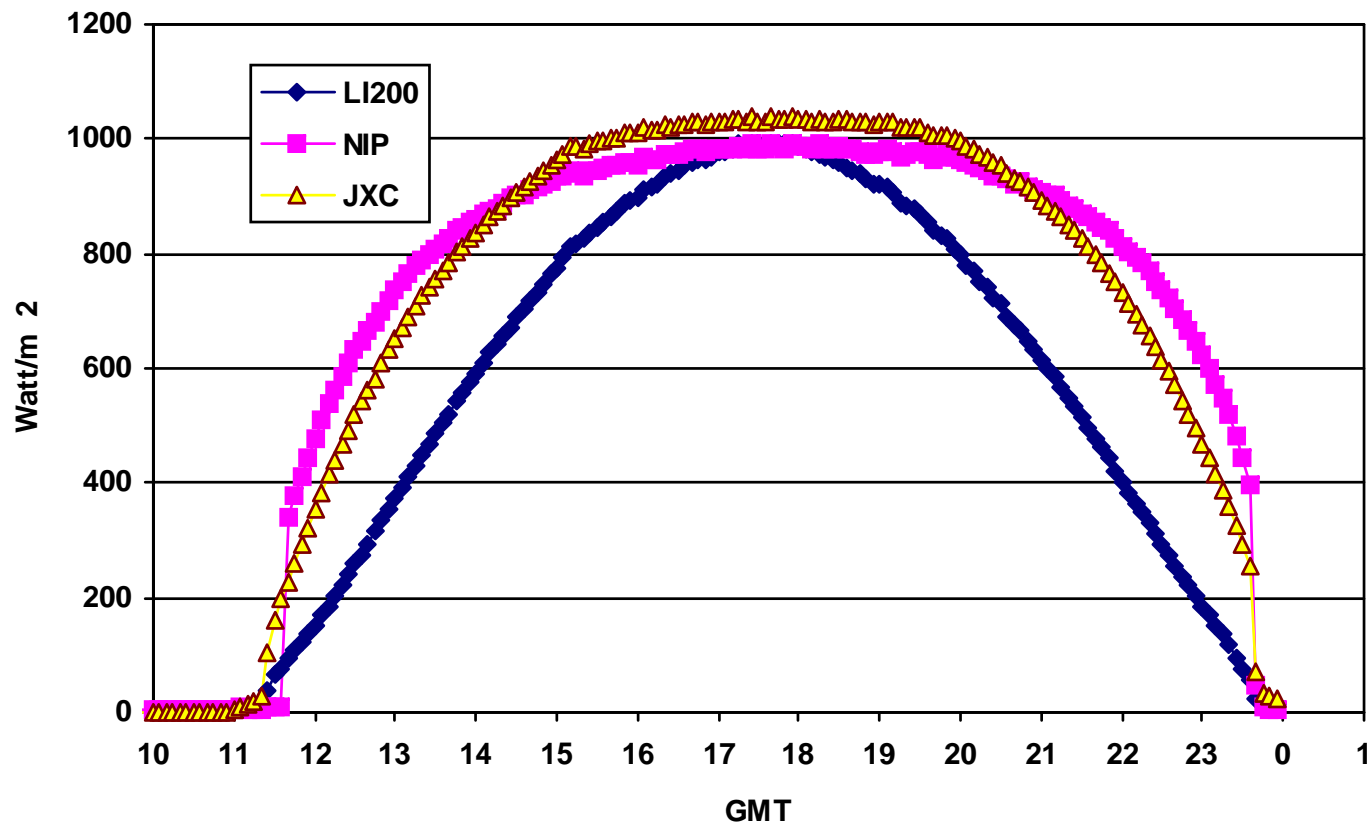
# Carousel Azimuth Tracker

VS

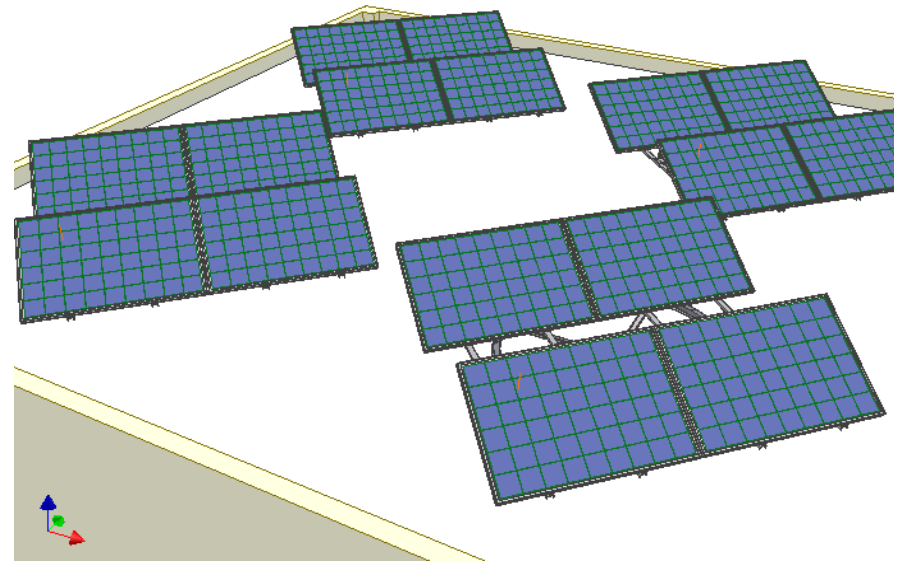
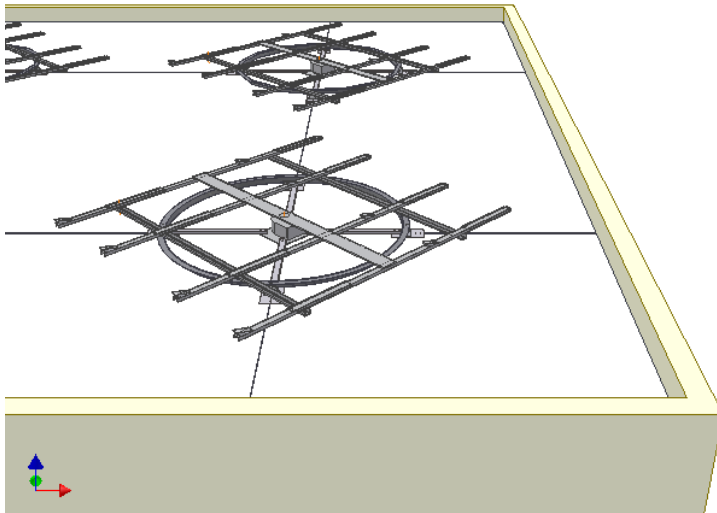
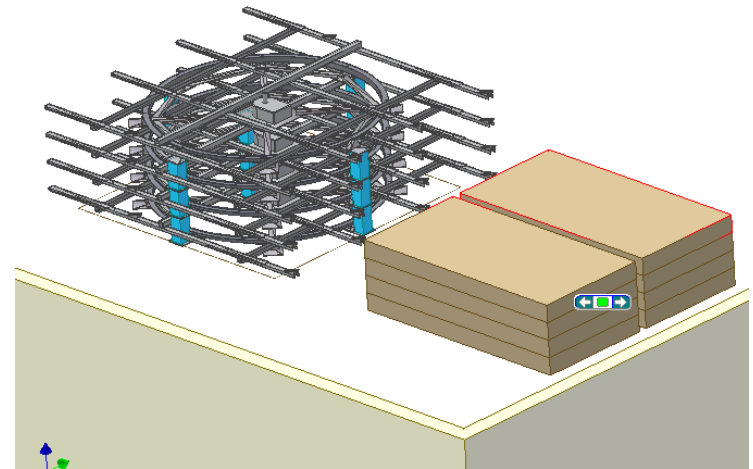
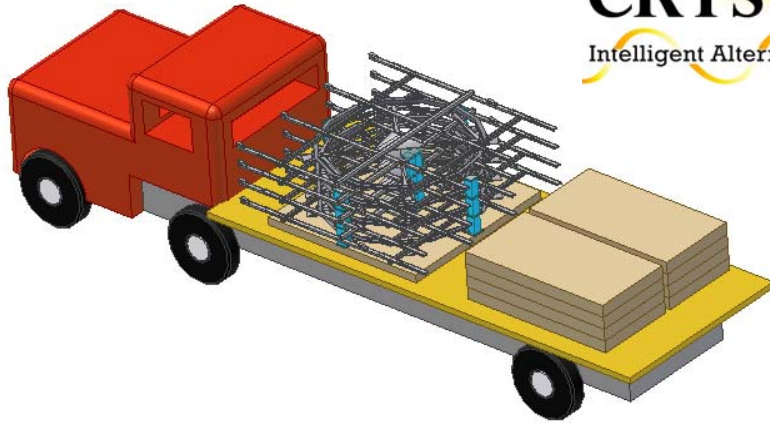
# Fixed Tilt Global

VS

# 2-Axis Tracked Direct Normal



**JX**  
**CRYSTALS**  
Intelligent Alternative Energy





**SunTrack Carousels**  
**for Sale**

**JX Crystals Inc**

**[lfraas@jxcrystals.com](mailto:lfraas@jxcrystals.com)**

**(425) 392 5237**

**Photos of 1.2 kW  
Sun-Track Carousel on  
rooftop**

**Carousel produces  
1.3 times more kW-hr  
relative to fixed tilt  
thereby reducing cost of  
solar electricity and  
reducing payback time  
by 30%**



# 4 JX Crystals Inc SunTrack Carousels on rooftop in Tucson AZ (4.5 kW)



# JX Crystals Carousel Trackers on home rooftop in Pales Verdes, CA



# JXC Carousels in Eastern WA



## **JX Crystals Sun Tracking Carousel in Eastern WA**



## 1.2 kW JX Crystals Carousel on Coffee Shop Rooftop in Seattle

