

JX Crystals Inc  
SunTrack-Carousel<sup>TM</sup>

1.4 times more kWh per kW  
for lower cost electricity.



**JX Crystals**

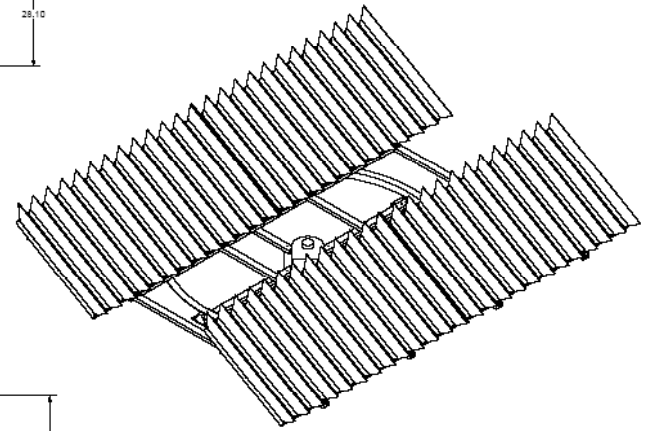
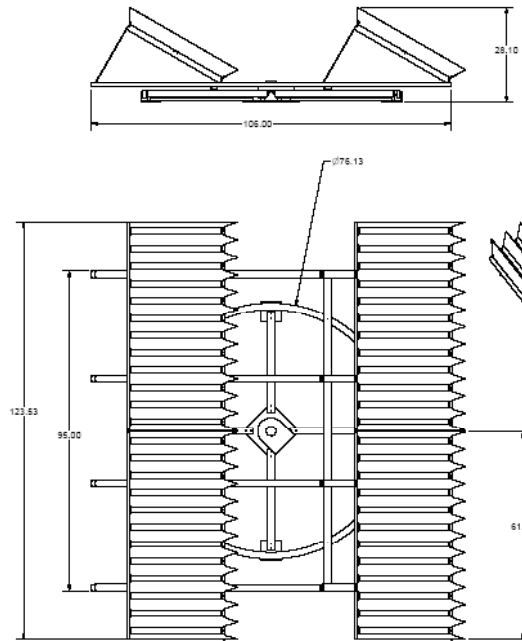
## **832 Watt Carousel Tracker**

**Made in Washington**

JX Crystals, Inc. 1105 12th Ave. N.W. Ste A2 Issaquah WA 98027 T 425.392.5237 Fax 425.392.7303

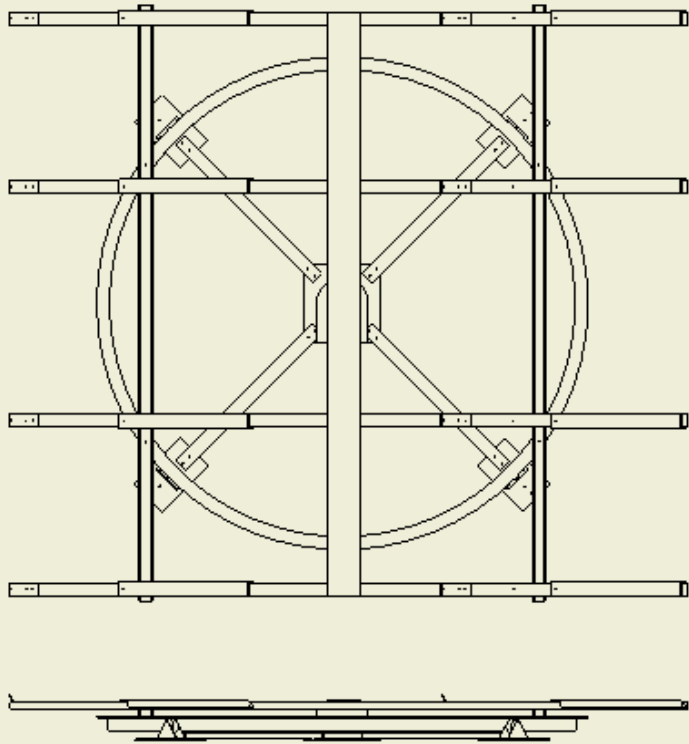
# JX Crystals Sun Tracking Carousel for Building Flat Roofs

- 800 W
- Low wind resistance
- Fits in 8 ft container
- Low Cost Installation
- 1.4 x more kWh/kW
- No roof penetration



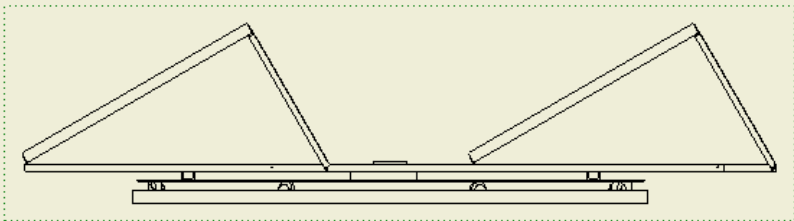
JX Crystals Inc  
Carousel with 3-Sun Mirror Panels  
700 W (STC)



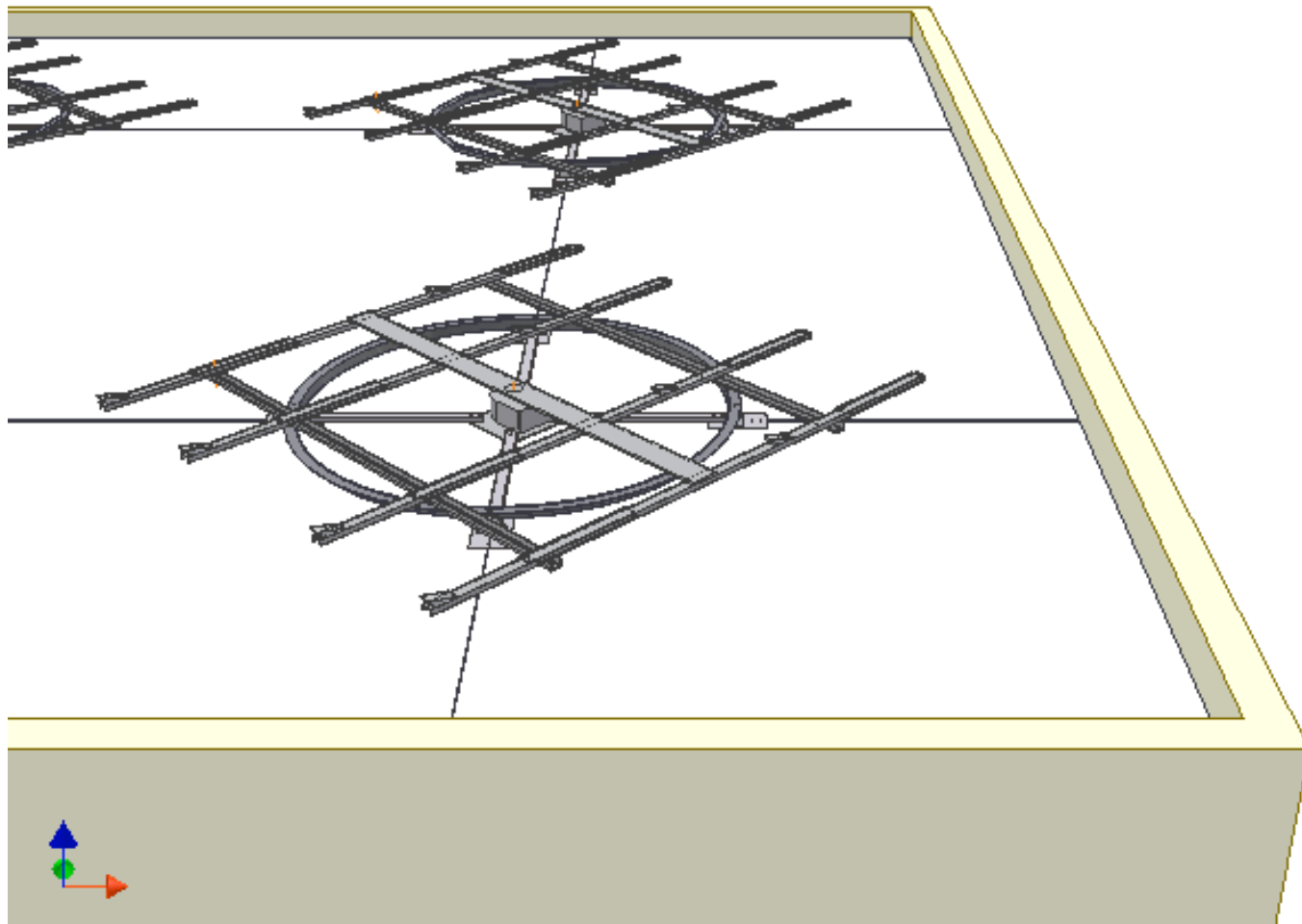


JX Crystals Inc  
Prefabricated  
SunTrack Carousel

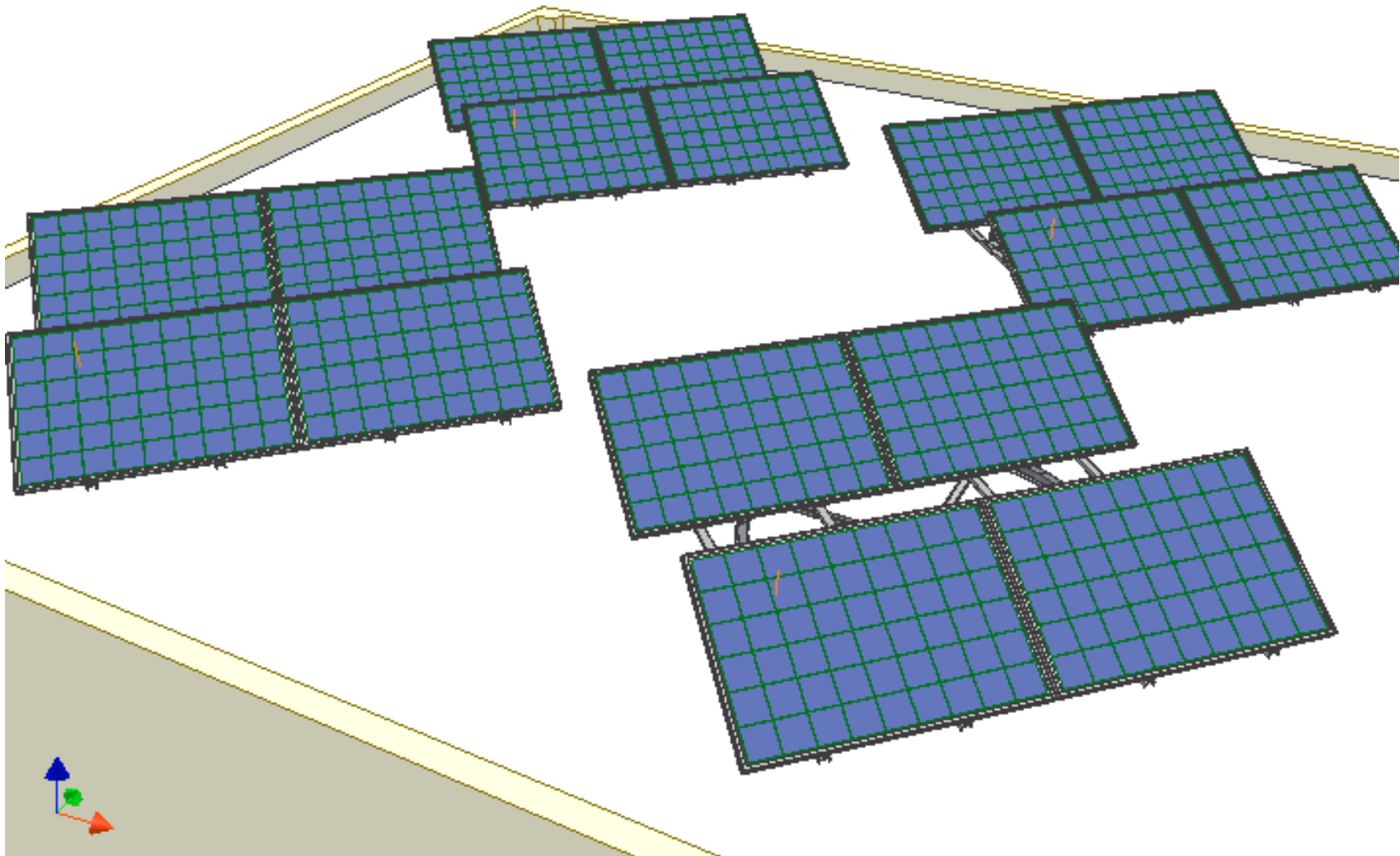
Fits in shipping  
container folded down  
And unfolds for  
PV panel installation



# JX Crystals Inc Prefab SunTrack Carousels on building roof top.



**JX Crystals Inc**  
**3.2 kW Installation with four 800 W Carousels**



# JX Crystals SunTrack Carousels with 3-Sun panels Arrayed on Commercial Building Flat Rooftop (Concept with PhotoShop)



JX Crystals Inc  
SunTrack™ Carousels  
Works for any parking lot orientation  
Lewis Fraas

